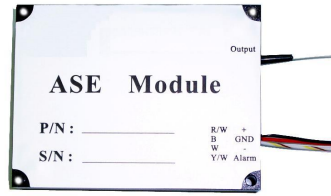
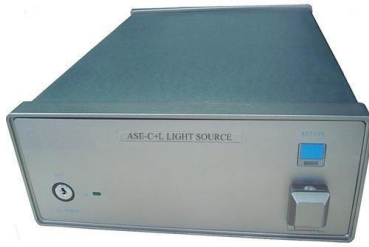


# ASE-C+L Broadband Light Source



## Applications

Optical fiber sensing  
Optical fiber passive component spectrum testing  
Optical fiber grating, DWDM, filter testing  
Optical fiber measurement equipments

## Features

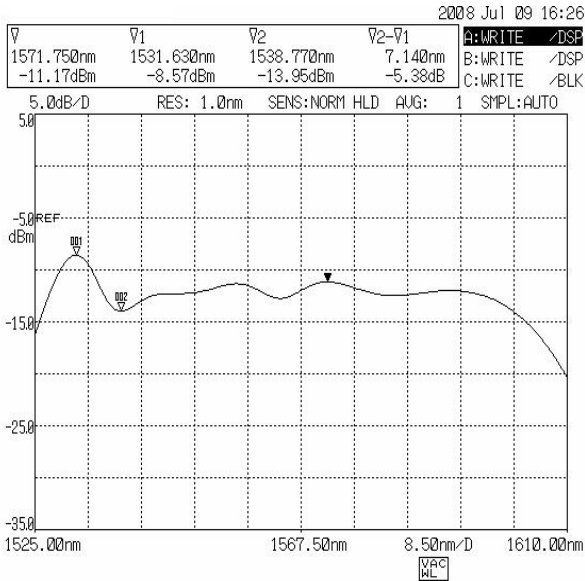
High output power  
High stability  
Broadband spectrum output, covering C band and C+L band

## Specifications

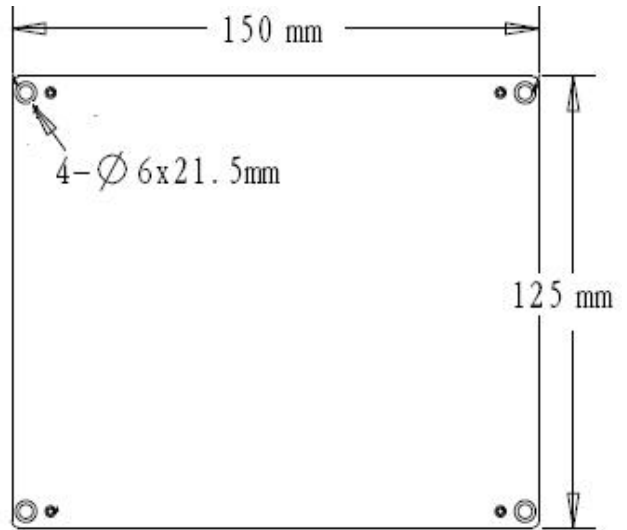
Parameters	ASE-C+L
Operating wavelength (nm)	<b>1525 ~1610</b>
Output power (dBm)	10~25.0
Spectral density (dBm/nm)	≥-17
Spectral stability (dBm/nm)	≤±0.01(5 min)
Output power short-term stability (dB)	≤±0.01(5 min)
Output power long-term stability (dB)	≤±0.03(8 hour)
Pigtail fiber	SMF-28
Connector type	FC/PC, FC/UPC or FC/APC
Operating temperature (°C)	0 ~ +65
Storage temperature (°C)	-20 ~ +70
Relative humidity (%)	20~80
Power Supply	110/220V AC, +5V DC, Driving current >500mA; ΔV<1%
Maximal Power Consumption	10W
Dimensions (L×W×H mm)	150×125×31, 320×220×90

Remark: Stability is tested at room temperature  $25 \pm 2^\circ\text{C}$  after pre-heating 30 minutes.

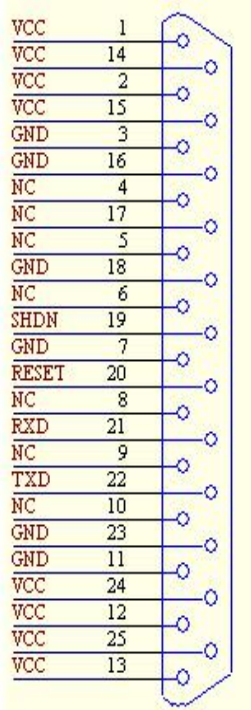
1. Test condition: fixed temperature, CW.
2. Test condition: temperature variation  $\pm 2^\circ\text{C}$ , CW.



Typical spectrum



Installation of Module



Definition of Connector

Pin	Discription	Pin	Discription
1	5 power(± 10%)	14	5 power(± 10%)
2	5 power(± 10%)	15	5 power(± 10%)
3	Ground	16	Ground
4	NC	17	NC
5	NC	18	Ground
6	NC	19	Pump LaserModule On/Off 1: OFF 0: ON
7	Ground	20	Reset Input 1: Enable 0: Disable
8	NC	21	RS-232 Input(TTL)
9	NC	22	RS-232 Output (TTL)
10	NC	23	Ground
11	Ground	24	5 power(± 10%)
12	5 power(± 10%)	25	5 power(± 10%)
13	5 power(± 10%)		

**Ordering Information**

ASE-C+L	Type	Output Power	GFF	Connector
	M=Module D=Desk-top	10=10dBm 13=13dBm 20=20dBm etc	G=GFF N=Without GFF	FC/UPC FC/APC etc